

The Cyclonix range of subwoofers are designed for edge-of-your-seat bass performance in dedicated home cinema rooms.

Their shallow depth allows them to be placed inconspicuously against a side or back wall as supporting subwoofers to a Series MX system. They can also be used as the main subwoofers in a dedicated home cinema system – either behind an acoustically transparent screen or elsewhere in the room.

The Cyclonix 12 has taken its design cues from the subwoofer modules in the MX-10 system, foregoing the acoustic absorbent material on the front baffle and instead offering an optional black cloth grille.

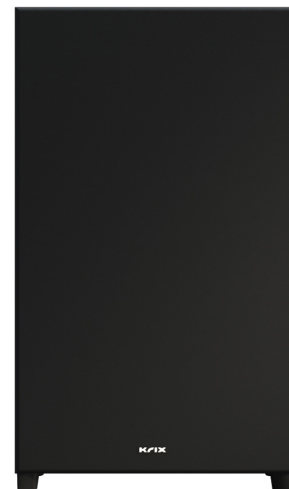
The 305mm bass driver features a 50mm voice coil with ventilated magnet system. The dual down-firing vents are tuned to achieve maximum output, while the proprietary Krix rubber feet provide improved acoustic isolation on hard and soft floor surfaces.

A separate power amplifier is required for this subwoofer and can be connected to the LFE output of any AV processor or receiver.

For the ultimate cinema experience at home, play it through Krix.

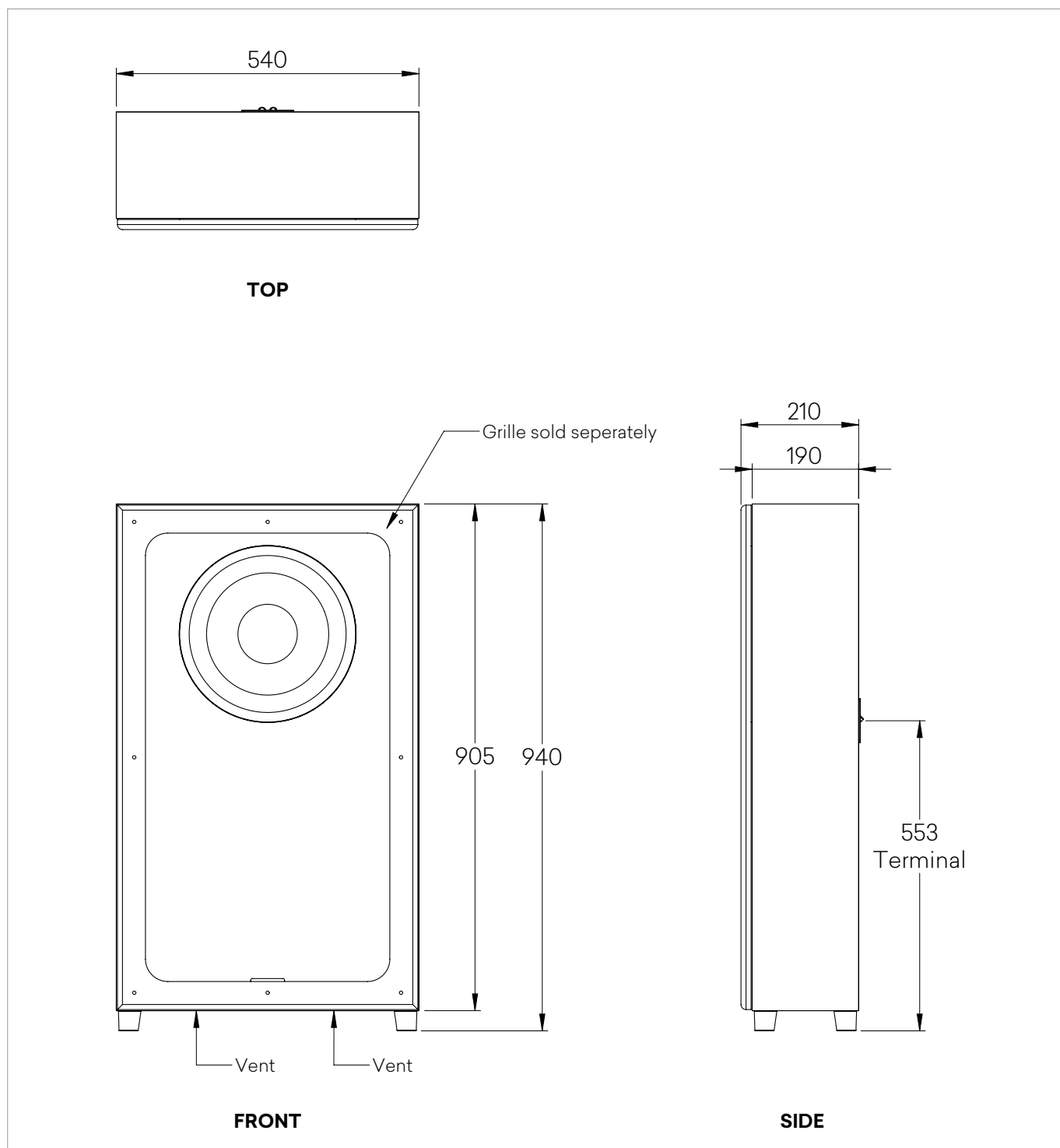
FEATURES

- Supporting subwoofer for Series MX systems
- Can also be used as a primary subwoofer
- Shallow design allows for greater placement options



Cyclonix 12	
Frequency Range	25 Hz - 200 Hz (in room response)
Amplified Power	200 – 500* Watts RMS recommended amplifier power * The use of a power amplifier with high pass filter and soft limiter function is strongly recommended on this subwoofer
Recommended Processing	High Pass Filter: 30 Hz 24dB / Octave Butterworth Limiter: 500W (4 Ohms)
Sensitivity	92 dB SPL (2.83V / 1m)
Impedance	4 Ohms
Inputs	High current spring terminals featuring a 5mm hole to accept up to 10AWG cable
Low Frequency Driver	Nominal 305mm (12") diameter paper cone driver with 50mm (2") long throw voice coil developed for high level, low frequency reinforcement
Enclosure Type	Bass reflex, dual down-firing vents
Dimensions	940mm high x 540mm wide x 190mm deep (210 mm deep with optional grille)
Net Weight	26 kg

DETAILED DIMENSIONS



krix.com

Cyclonix 12 Specifications Sheet-001

ADELAIDE | 14 Chapman Road, Hackham, SA, 5163, Australia

T +61 8 8384 3433

F +61 8 8384 3419

listen@krix.com.au

Pg. 2 of 2