

The Cyclonix range of subwoofers are designed for edge-of-your-seat bass performance in dedicated home cinema rooms.

Their shallow depth allows them to be placed inconspicuously against a side or back wall as supporting subwoofers to a Series MX system. They can also be used as the main subwoofers in a dedicated home cinema system – either behind an acoustically transparent screen or elsewhere in the room.

The Cyclonix 15 has taken its design cues from the subwoofer modules in the MX-20 system, foregoing the acoustic absorbent material on the front baffle and instead offering an optional black cloth grille.

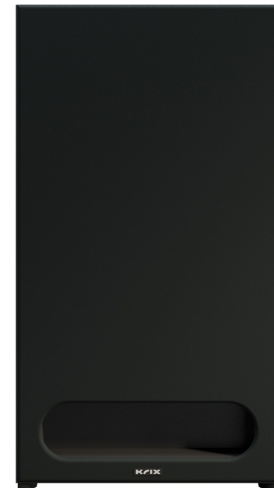
The large 380mm bass driver features a 100mm edge-wound copper voice coil, dual spider assembly and vented magnet assembly. The front-firing vent and high-sensitivity driver are tuned to achieve maximum output, resulting in an incredibly efficient subwoofer for high drive level applications. Proprietary Krix rubber feet provide improved acoustic isolation on hard and soft floor surfaces.

A separate power amplifier is required for this subwoofer and can be connected to the LFE output of any AV processor or receiver.

For the ultimate cinema experience at home, play it through Krix.

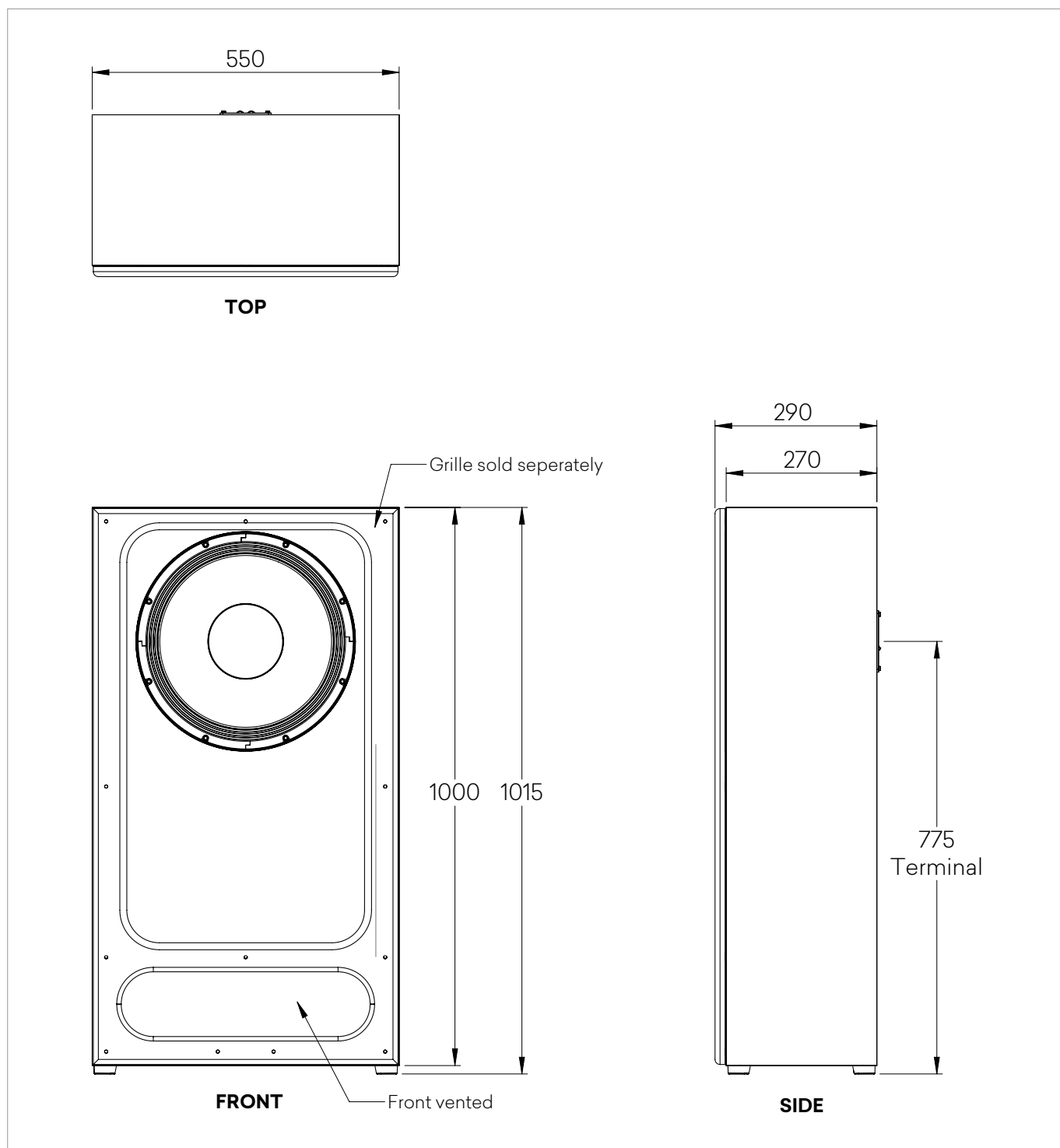
FEATURES

- Supporting subwoofer for Series MX systems
- Can also be used as a primary subwoofer
- Shallow design allows for greater placement options



Cyclonix 15	
Frequency Range	25 Hz - 200 Hz (in room response)
Amplified Power	200 – 1400* Watts RMS recommended amplifier power * The use of a power amplifier with high pass filter and soft limiter function is strongly recommended on this subwoofer
Recommended Processing	High Pass Filter: 25 Hz 24dB / Octave Butterworth Limiter: 1000W (8 Ohms)
Sensitivity	96 dB SPL (2.83V / 1m)
Impedance	8 Ohms
Inputs	High current spring terminals featuring a 5mm hole to accept up to 10AWG cable
Low Frequency Driver	Single 380mm (15") paper cone driver. 100mm (4") edge-wound copper voice coil, dual spider assembly and vented magnet assembly
Enclosure Type	Bass reflex, front vented
Dimensions	1015mm high x 550mm wide x 270mm deep (290mm deep with optional grille)
Net Weight	38 kg

DETAILED DIMENSIONS



krix.com

Cyclonix 15 Specifications Sheet-001