

These downlight-sized speakers hide in the ceiling to distribute music seamlessly and invisibly, encapsulating you no matter what you're doing.

Semi-enclosed, the Holographix are protected from dust and ceiling debris and are also water resistant – so you can steam up the bathroom while listening to your favourite album.

With a smooth, accurate frequency response and good low frequency extension, the Holographix deliver the kind of high quality performance you wouldn't usually expect from a speaker this size, thanks to the full range 75mm polypropylene cone and corresponding large voice coil and magnet. At only 108mm mounting depth, the Holographix will fit in most roof cavities, with a simple twist-and-lock mounting system making installation a breeze.

Multiple pairs can be wired together for even sound distribution over large areas and can be easily painted to blend in to your colour scheme. When lined up with downlights or set in each corner, they virtually disappear, for a surrounding background sound you can hear but can't see.

For the ultimate sound experience at home, play it through Krix.

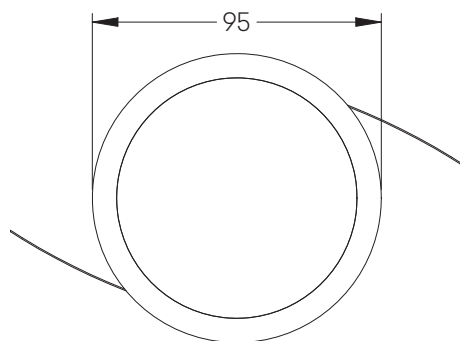
FEATURES

- Small in size, not in sound
- Easy installation
- Ideal for multi-room audio

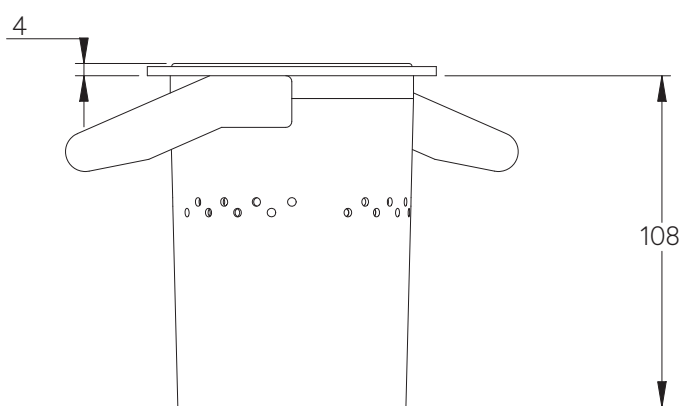


Holographix	
Frequency Range	90Hz - 20kHz (in room response)
Power Handling	10 - 80 Watts RMS recommended amplifier power
Sensitivity	87dB (2.83V / 1m)
Impedance	Nominal 8 Ohms (Minimum 7.5 Ohms)
Configuration	Full Range
Full Frequency Driver	Nominal 75mm (3") polypropylene cone, with a 20mm (¾") voice coil wound on an aluminium former and neodymium magnet
Enclosure Type	Acoustically treated infinite baffle
Dimensions	95mm diameter x 108mm mounting depth
Cut Out Diameter	82mm to 88mm diameter recommended (template provided)
Net Weight	0.5 kg

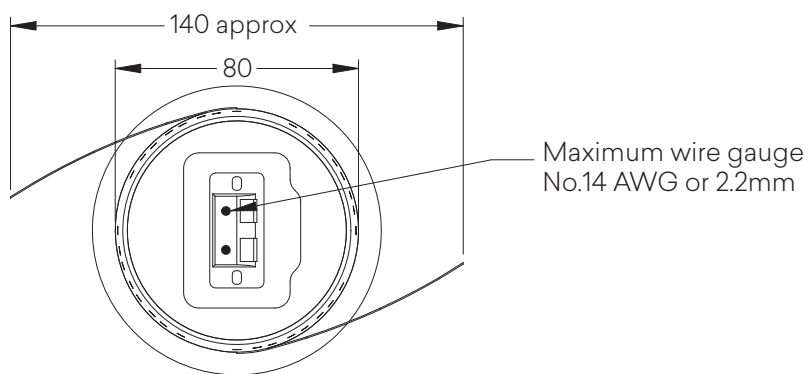
DETAILED DIMENSIONS



Top View



Front View



Bottom View