

The Cylonix Active is the ultimate subwoofer for recreating the lowest possible audible frequencies in your dedicated home cinema.

With a built-in ICEpower® class D amplifier, the Cylonix Active uses a high excursion bass driver mounted in a high quality MDF enclosure featuring the proprietary Krix 'X' brace system to eliminate panel resonances.

The giant 455mm bass driver features a 100mm voice coil, powerful vented magnetic circuit and double spider assembly. The optimum cooling system provides fast heat exchange and reduced thermal power compression. The built-in ICEpower® class D amplifier also delivers 450 watts RMS.

The dual front-vented enclosure is tuned to achieve maximum output, resulting in an incredibly efficient subwoofer for high drive level applications, while the front mounted control panel with LED display allows for easy adjustment and use. The unit also includes proprietary Krix rubber feet for improved acoustic isolation on hard and soft floor surfaces.

For the ultimate cinema experience at home, play it through Krix.

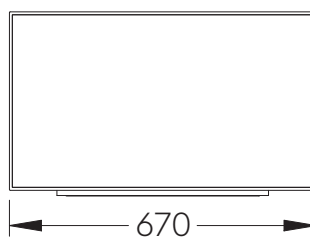


FEATURES

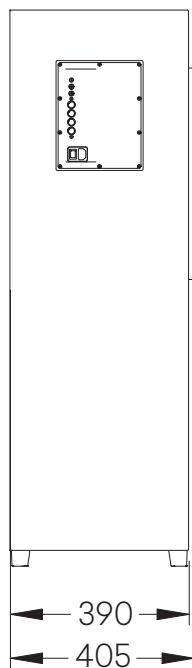
- Incredibly efficient for maximum output
- 18" driver with extra-long excursion
- Exclusive Krix digital sub amplifier (KDSA)

Cyclonix Active	
Frequency Range	20 Hz - 250 Hz (in room response)
Amplified Power	450 Watts RMS
Output	127 dB maximum SPL in room response
Inputs	Stereo line level RCA. High level binding posts
Low Frequency Driver	Single 455mm (18") paper cone driver. 100mm (4") edge-wound copper voice coil, dual spider assembly and vented magnet assembly
Enclosure Type	Bass reflex, front vented
Power On/Off	Adjustable Auto/Always On, 12V trigger setting
Phase Select	0° or 180°
Low Pass Filter	50Hz-200Hz or bypass
Dimensions	1200mm high x 670mm wide x 405mm deep
Net Weight	63 kg

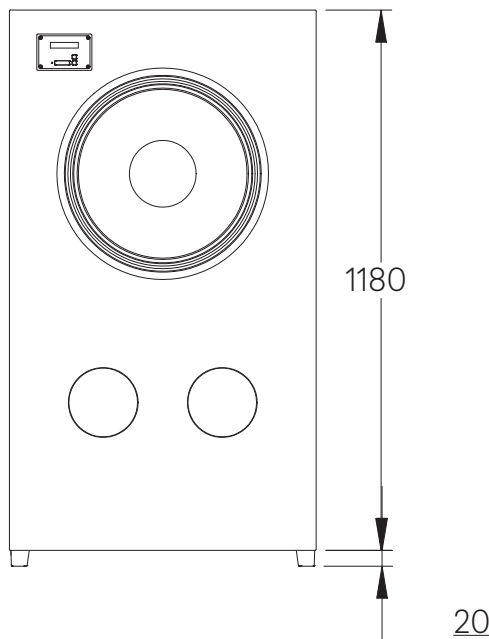
DETAILED DIMENSIONS



Top View



Side View



Front View

