

Part of the Krix Architectural Series (AS), the Hemispherix AS can be used for home theatre, stereo listening, or high-quality background music.

The fully-enclosed back box maximises and controls bass, protects from ceiling debris and drastically reduces sound leakage into adjoining rooms. With speaker components mounted directly to the front baffle of the speaker, the Hemispherix AS delivers a true high fidelity sound in a neat package.

Tonally balanced to the Krix floorstanding and bookshelf range, the Hemispherix AS allows you to enjoy accurate and controlled bass, as well as midrange clarity delivered by a 100mm driver with a large magnet and aluminium shorting ring. Extended high frequency performance is provided by the 26mm ring radiator tweeter, which can swivel to direct sound toward the listener.

The paintable bezel grille, which is slim and attractively-styled in rust-resistant stainless steel, locks onto magnets at the front of the speaker for easy installation, producing the ultimate sound with magical simplicity.

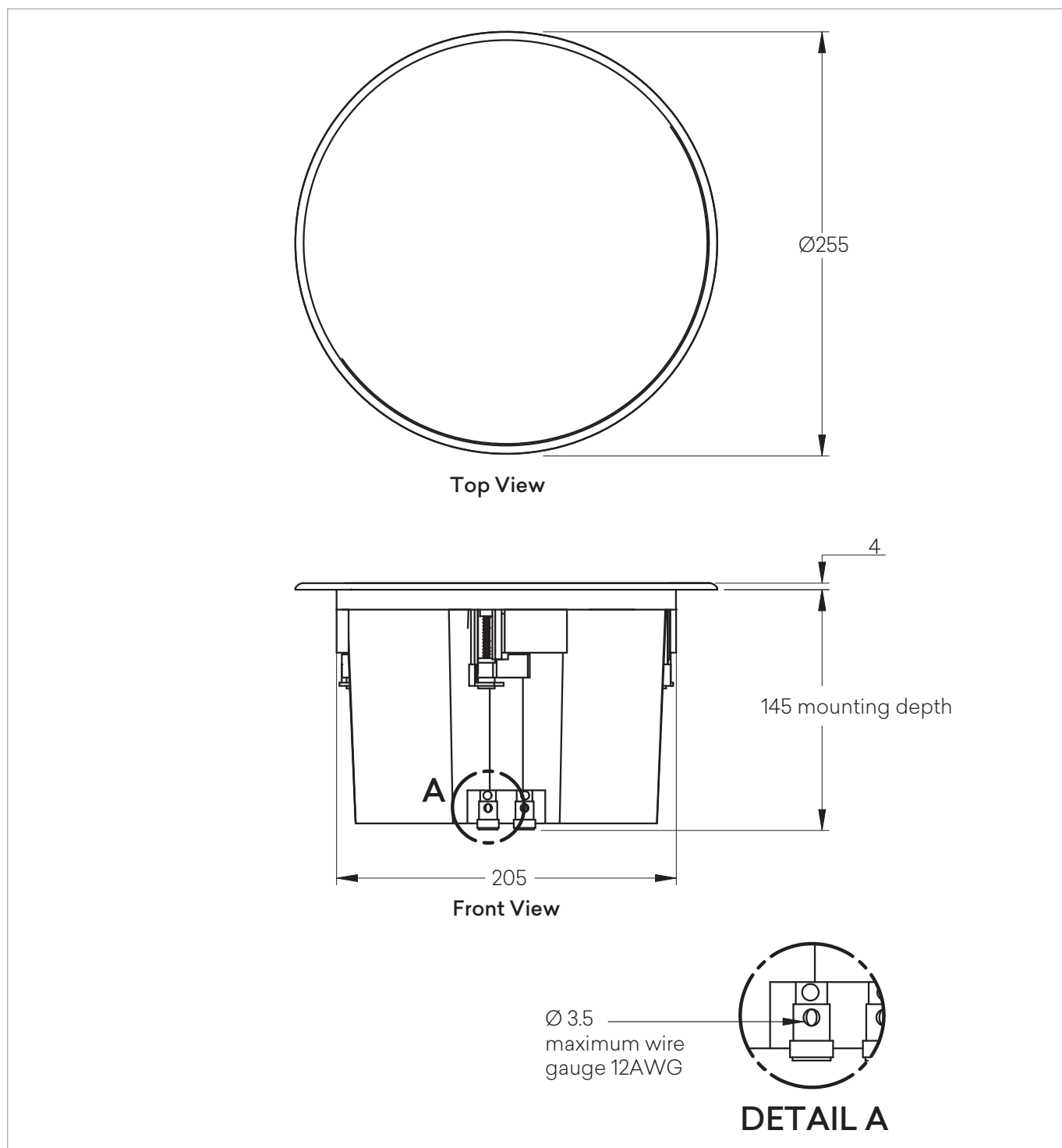
## FEATURES

- High fidelity performance in your ceiling
- Even dispersion throughout your room
- Fully-enclosed back box



Hemispherix AS	
Frequency Range	65Hz - 40kHz (in room response)
Power Handling	20 - 100 Watts RMS recommended amplifier power
Sensitivity	86 dB (2.83V / 1m)
Impedance	Nominal 6 Ohms (Minimum 4.2 Ohms)
Configuration	2-Way
Low Frequency Driver	Nominal 100mm (4") doped paper cone. 25mm (1") voice coil wound on high temperature Kapton former
High Frequency Driver	20mm (3/4") ring radiator, adjustable 'eyeball'
Enclosure Type	Bass reflex, front vented
Input Terminals	Gold plated spring terminals
Dimensions	255mm diameter x 145mm mounting depth
Cut Out Diameter	207mm diameter recommended (template provided)
Net Weight	2 kg

## DETAILED DIMENSIONS



[krix.com](http://krix.com)

Hemispherix AS Specifications Sheet-002

ADELAIDE | 14 Chapman Road, Hackham, SA, 5163, Australia

T +61 8 8384 3433

F +61 8 8384 3419

[listen@krix.com.au](mailto:listen@krix.com.au)

Pg. 2 of 2