

For all-encompassing cinema surround sound in a concealed form, the Phonix In-Wall provides an immersive home theatre experience as a side surround, rear surround or ceiling effect speaker.

Best for use in 5.1, 7.1 or the new immersive sound formats, this dedicated home cinema speaker offers high power handling with low frequency extension down to 45Hz in a neat in wall package.

The hefty 165mm bass driver has a 33mm voice coil wound on high powered aluminium former, with ventilated spider and aluminium flux stabilisation ring for low distortion. The paper cone and surround of the bass driver have been developed to provide the smoothest possible response and a dynamic and non-fatiguing vocal mid-band.

The high frequency drive unit is a specially-damped, high power, 26mm doped fabric dome tweeter. Combined with the crossover network which has been designed and built using close-tolerance, professional-grade components, the resulting sound is exceptionally smooth and well controlled.

The Phonix In-Wall can be fixed to plastered studwork or cabinetry via the 1.6mm thick faceplate. The optional extra to finish with a neat black cloth grille is also available, making the Phonix In-Wall a versatile yet powerful surround sound speaker.

For the ultimate cinema experience at home, play it through Krix.

FEATURES

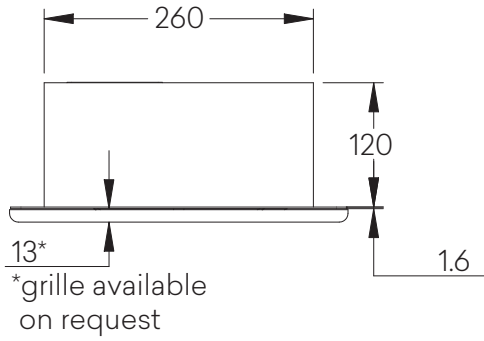
- Immersive surround or overhead effects
- Easy in-wall mounting
- Concealed performance



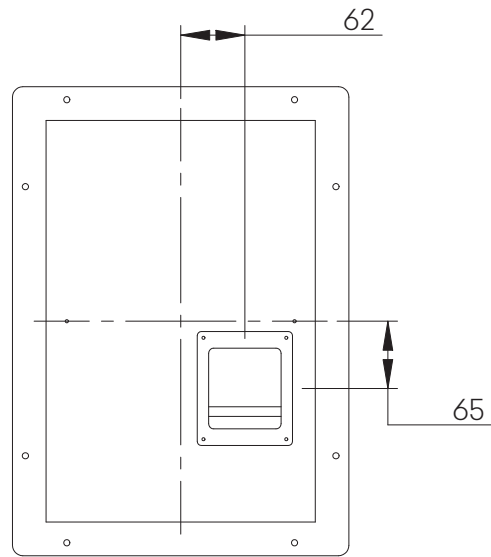
(Optional Grille)

Phonix Flat	
Frequency Range	45 Hz - 20 kHz (in room response)
Power Handling	50 - 150 Watts RMS recommended amplifier power
Sensitivity	88 dB (2.83V / 1m)
Impedance	8 OhmS
Configuration	2-Way
Crossover point	1.8 kHz
Low Frequency Driver	Single 165mm (6 1/2") paper cone driver. 33mm (1 1/4") voice coil wound on high powered kapton former, with ventilated magnet assembly and copper shorting ring for low distortion
High Frequency Driver	26mm (1") doped fabric dome with large roll surround. Ferro fluid cooled
Enclosure Type	Bass reflex, front vented
Input Terminals	Gold plated binding posts
Dimensions	388mm high x 260mm wide x 120mm deep cabinet, 453mm high x 325mm wide x 1.6mm thick faceplate
Cut-out Dimensions	393mm high x 265mm wide recommended
Net Weight	7 kg

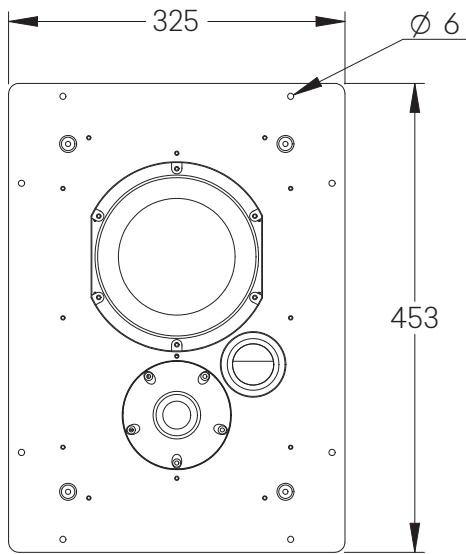
DETAILED DIMENSIONS



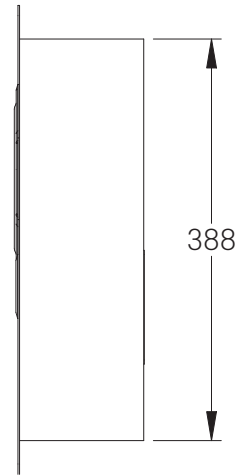
Top View



Back View



Front View



Side View

