

Welcome to the profound experience of true low frequency effects with the Volcanix Slim, a dedicated home cinema in room subwoofer. Experience stunning depth and realism in cars chases, building explosions and rumbling earthquakes, while also benefiting from tonal accuracy and the enhanced bass performance you need to truly feel a rock concert or the strings of a symphony orchestra.

Using the same bass driver and class D amplifier as Krix's award-winning Volcanix subwoofer, the Volcanix Slim is redesigned to fit perfectly behind acoustically transparent screens or to be mounted into shallow false baffle walls.

The built-in ICEpower® class D amplifier delivers 450 watts RMS, while the large 305mm bass driver, with huge 50mm long throw voice coil, is specifically developed for low frequency reinforcement. With two large down-firing ports to give a 40% larger vent area than the Volcanix, the Volcanix Slim provides improved bass performance at higher volumes.

Its front mounted control panel with LED display allows easy adjustments, while proprietary Krix rubber feet improve acoustic isolation on hard and soft floor surfaces. Available without a front grille, for use behind an acoustically transparent screen, or with a front grille for those displayed in full view.

For the ultimate cinema experience at home, play it through Krix.

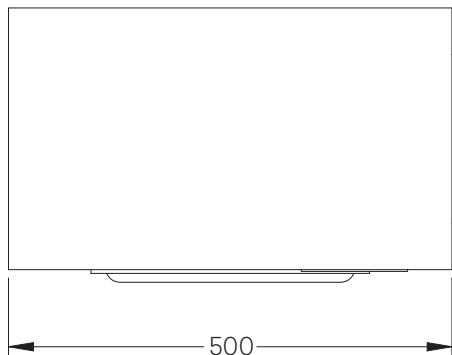


FEATURES

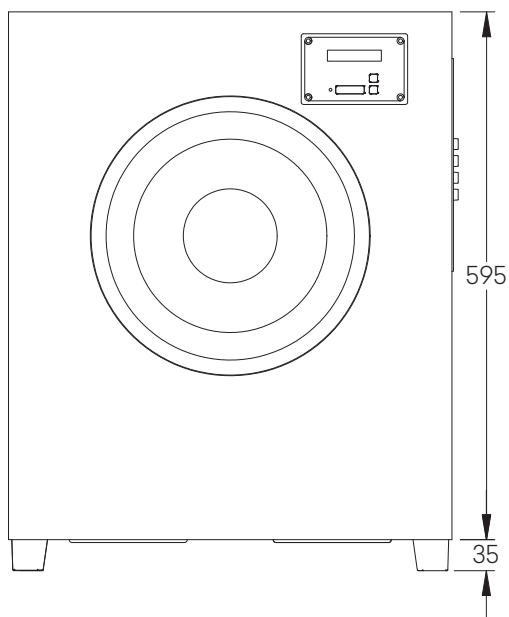
- Slim design for greater placement options
- Down firing dual ports
- Heavily braced enclosure

Volcanix	
Frequency Range	15 Hz - 200 Hz (in room response)
Amplified Power	450 Watts RMS
Output	125 dB maximum SPL in room response
Inputs	Stereo line level RCA. High level inputs
Enclosure Type	Bass reflex, down firing vents
Low Frequency Driver	Nominal 305mm (12") diameter paper cone driver with 50mm (2") long throw voice coil developed for high level, low frequency reinforcement
Power On/Off	Adjustable Auto/Always On
Phase Select	0° to 180° continuously variable (relative to input signal)
Low Pass Filter	50 Hz-195 Hz or bypass
Dimensions	630mm high x 500mm wide x 309mm deep
Net Weight	23 kg

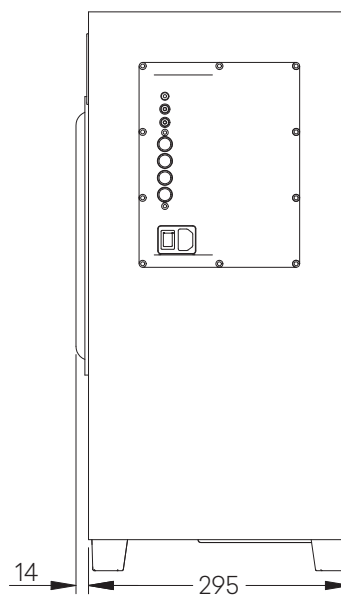
DETAILED DIMENSIONS



Top View



Front View



Side View

