

For enveloping surround sound and overhead effects, the cleverly angled Phonix 45 provides an immersive home theatre experience as a surround or ceiling effect speaker.

Installed vertically or horizontally, the Phonix 45 is best used in locations where the speaker would normally be considerably off-axis to the main listening position. Prime examples are the front wide, front height, top front, top rear and rear height positions. By angling the front baffle towards your seat, the high frequency response is improved and significantly less equalisation and power are required. The speaker can also be mounted tightly into a corner.

The Phonix 45 has been designed with a shallow 124mm depth, so it can also be installed "flat" to the wall, for speaker positions that are more on-axis with the seating locations (see technical drawing for rear mount option).

Perfectly suited to home cinema applications, the high power handling and extension down to 45Hz make this speaker incredibly capable of delivering the most demanding soundtrack effects. The hefty 165mm bass driver has a 33mm voice coil wound on high powered aluminium former, with ventilated spider and aluminium flux stabilisation ring for low distortion. The paper cone and surround of the bass driver have been developed to provide the smoothest possible response and a dynamic and non-fatiguing vocal mid-band.

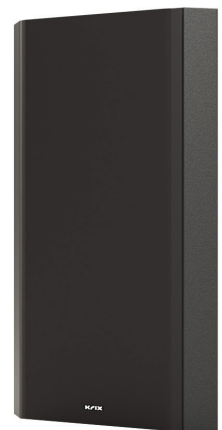
The high frequency drive unit is a specially-damped, high power, 26mm doped fabric dome tweeter. Combined with the crossover network which has been designed and built using close-tolerance, professional-grade components, the resulting sound is exceptionally smooth and well controlled.

The Phonix 45 are provided as a left and right pair, so will balance symmetrically within your room. Each speaker includes a black cloth grille and bracket, ensuring the speaker looks great and is easy to install.

For the ultimate cinema experience at home, play it through Krix.

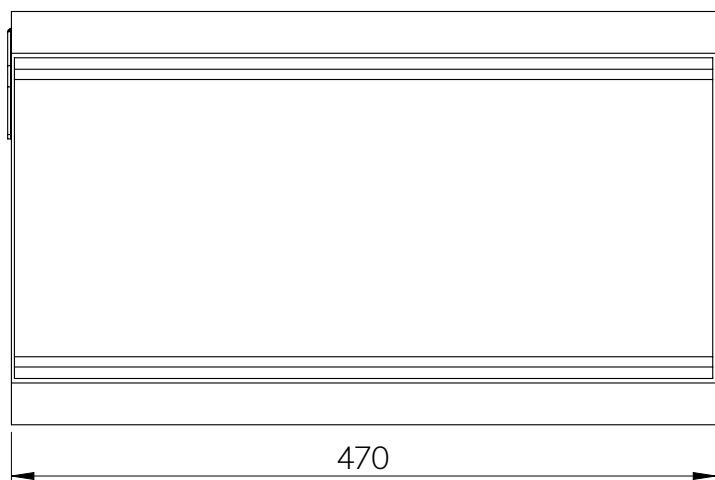
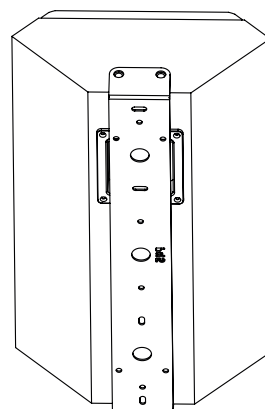
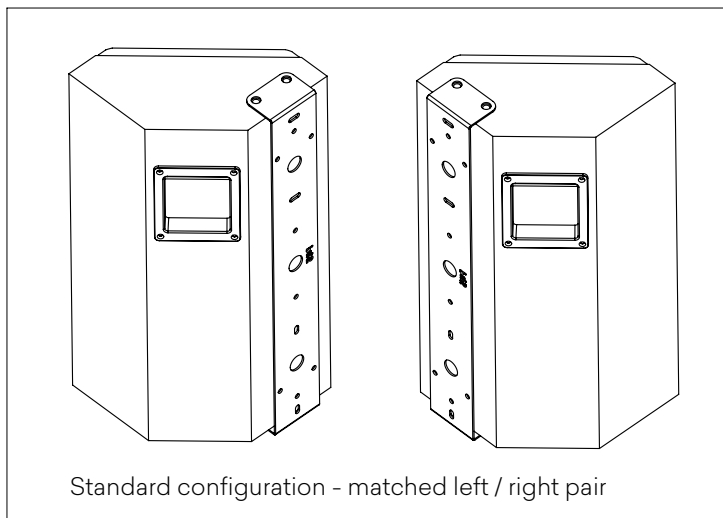
FEATURES

- Immersive surround or ceiling effects
- Suitable for wall and ceiling mounting
- Suitable for vertical and horizontal mounting
- Compact, angled design
- Rear mount version available on request

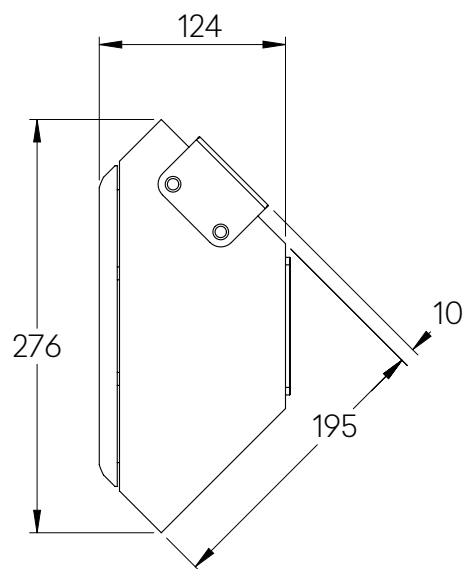


	Phonix 45
Frequency Range	45 Hz - 20 kHz (in room response)
Power Handling	50 - 150 Watts RMS recommended amplifier power
Sensitivity	88 dB (2.83V / 1m)
Impedance	8 OhmS
Configuration	2-Way
Crossover point	1.8 kHz
Low Frequency Driver	Single 165mm (6 1/2") paper cone driver. 33mm (1 1/4") voice coil wound on high powered kapton former, with ventilated magnet assembly and copper shorting ring for low distortion
High Frequency Driver	26mm (1") doped fabric dome with large roll surround. Ferro fluid cooled
Enclosure Type	Bass reflex, front vented
Input Terminals	High current terminals featuring 5mm hole to accept up to 10 AWG cable
Dimensions	470mm high x 276mm wide x 124mm deep (please see technical drawing below for dimensions when speaker is rotated)
Net Weight	6 kg

DETAILED DIMENSIONS



FRONT



SIDE